

---

KT204-F2

浙江工商大學

2017 01

1

2

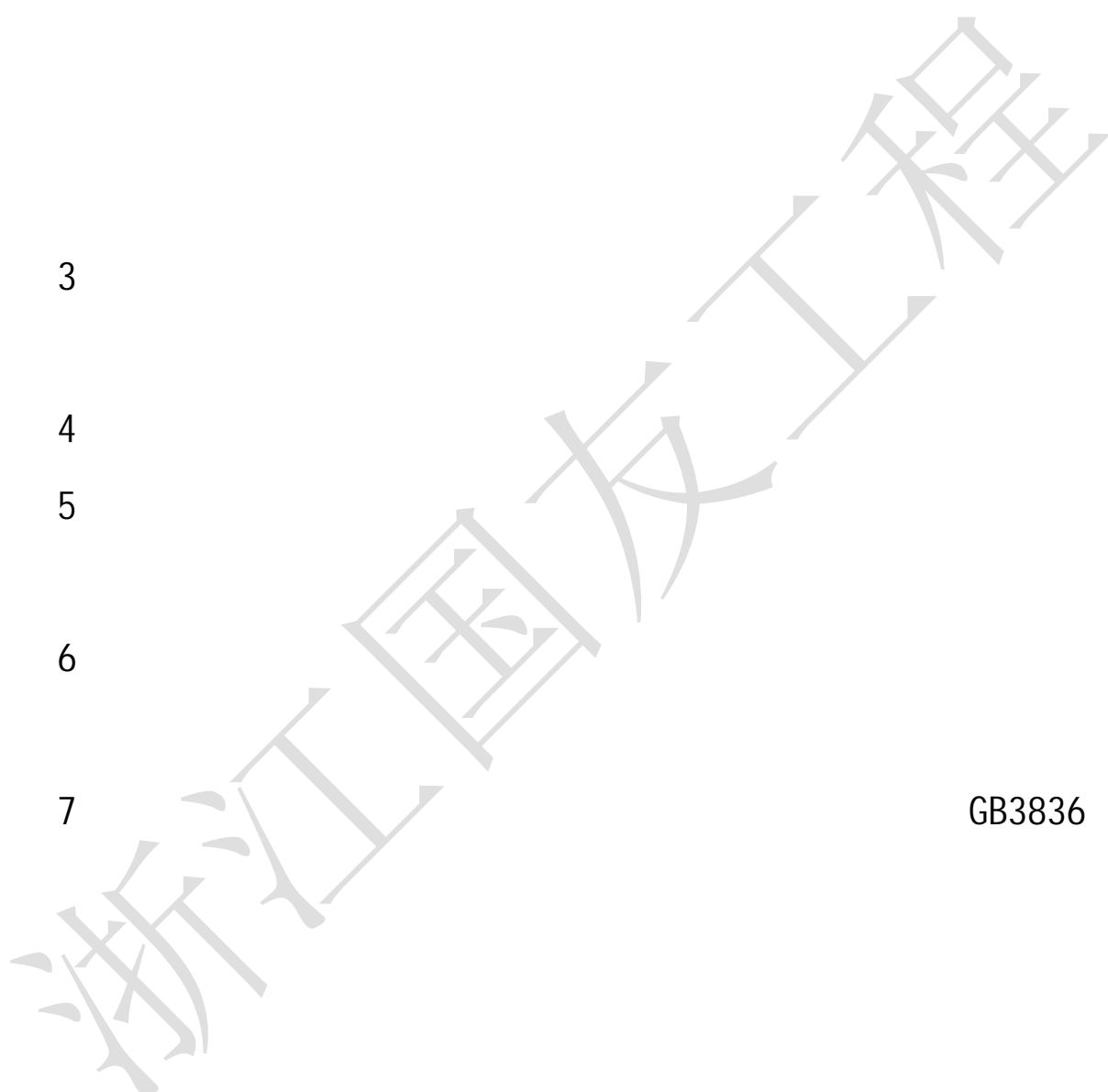
3

4

5

6

7



GB3836

1

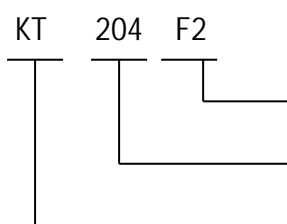
KT204-F2

WIFI TCP/IP

WIFI

2

2.1



2.2

Exd i b Mb

2.3

a 100M

4

b 100M

3

2.4

2.4.1

a 0 +40

b 95% +25

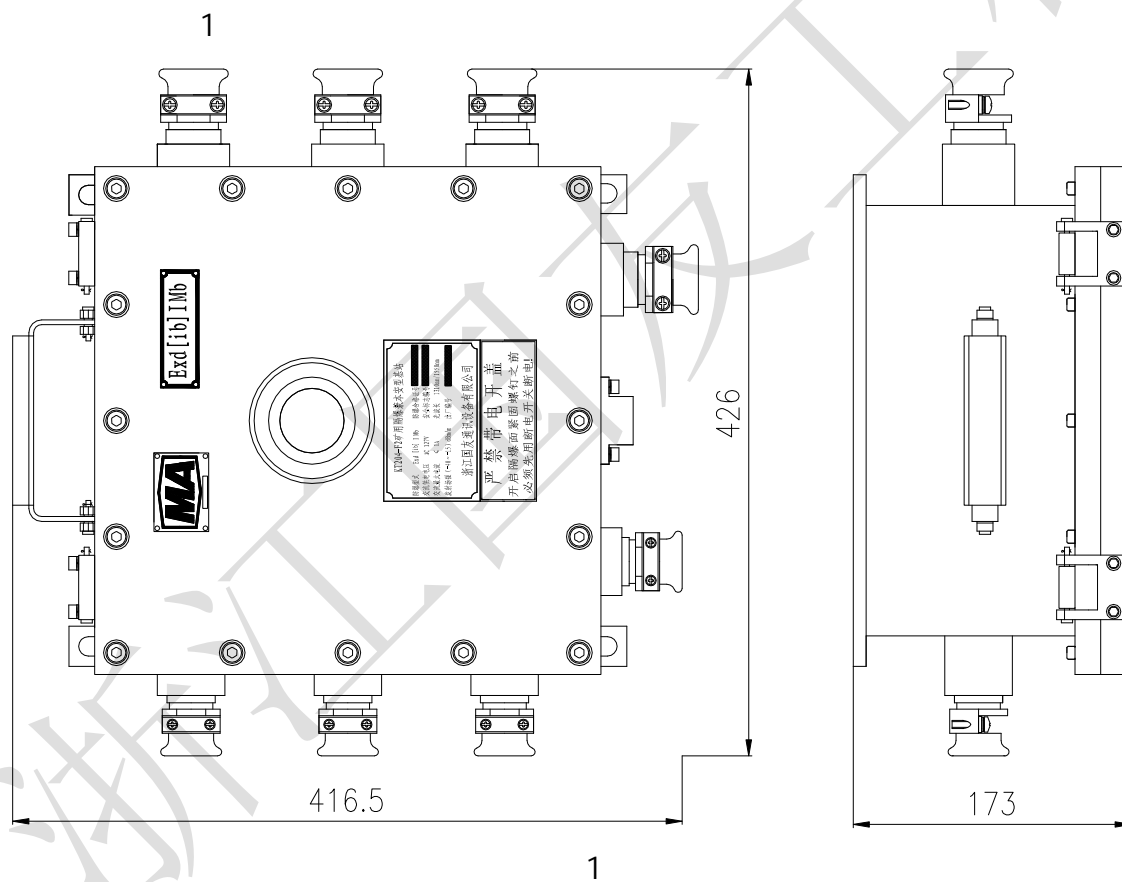
c 80kPa 106kPa

d

2.4.2

- a +60
- b -40
- c 95% +25
- d 50m/s<sup>2</sup>
- e 500m/s<sup>2</sup>

2.5

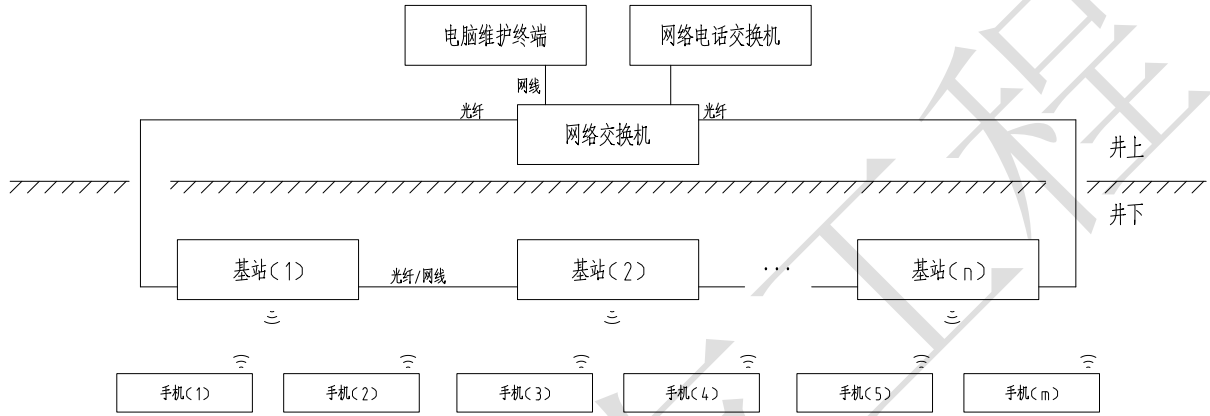


- a × × 416.5mm 426mm 173mm
- b 38kg

3

3.1

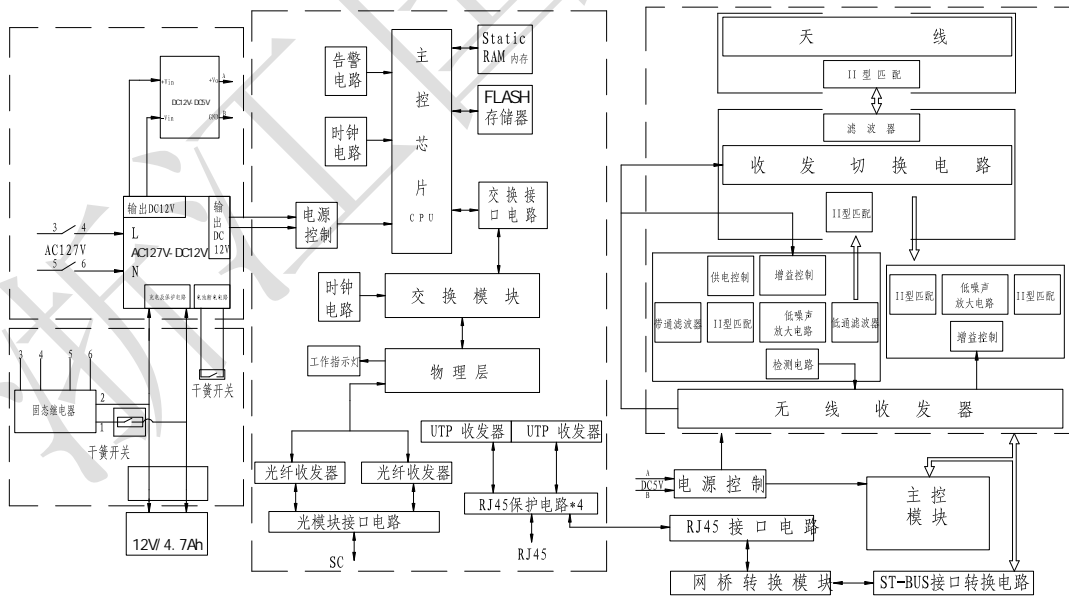
2



2

3.2

3



3